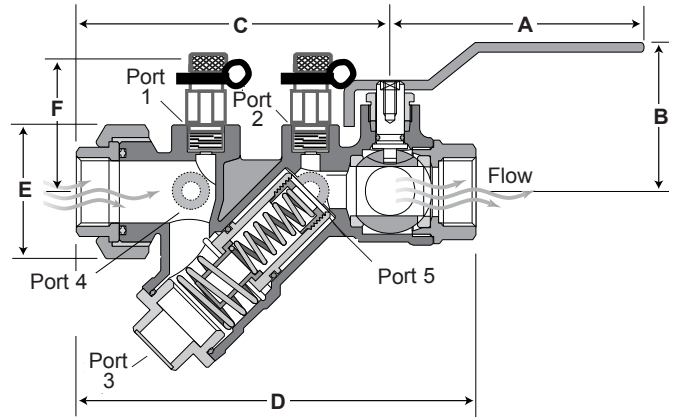


Model AC shown with standard Pressure / Temperature ports.



**Product Information**

**Body:** DZR Brass  
**Ball and Stem:**  
**Flow Cartridge:** Series 300 Stainless Steel  
 Wear Surfaces with Stainless Steel Spring  
**Accuracy:** ±5%  
**Rating:** 400 psig at 250° F (27 Bar at 120° C)

AutoFlow combination ball valve, AutoFlow regulator and union with up to five (5) accessory port locations. Unit is factory set to automatically limit the flow rate to within 5% of the specified amount. The flow cartridge is removable from the valve body to provide access for flow rate changes, inspection, and cleaning without breaking the main piping. The ball valve has Teflon packing, brass packing nut and blowout-proof stem, large diameter plated ball and a full size steel handle with vinyl grip. The union has an EPDM "o"-ring and tailpiece available in M, F and S connections. Ball valve end is available only in FPT or SWT. Pressure / Temperature ports are standard.

*Dimensions not to be used for construction unless prints certified by factory.*

**Dimensions**

| Model   | Size<br>in. | A<br>in. | B<br>in. | C<br>in. | D<br>in. | E<br>in. | F<br>in. | Weight<br>lb. | Cv   | Maximum gpm Control<br>Range psi |                  |
|---------|-------------|----------|----------|----------|----------|----------|----------|---------------|------|----------------------------------|------------------|
|         |             |          |          |          |          |          |          |               |      | 2-32<br>(14-220)                 | 5-60<br>(35-414) |
| AC0050  | 1/2         | 4.1      | 2.0      | 4.8      | 6.7      | 2.1      | 2.2      | 2.5           | 7.9  | 8                                | 12               |
| AC0075  | 3/4         | 4.1      | 2.0      | 4.9      | 6.7      | 2.1      | 2.2      | 2.5           | 8.8  | 8                                | 12               |
| ACR100* | 1           | 4.1      | 2.0      | 5.5      | 7.6      | 2.1      | 2.2      | 2.5           | 8.8  | 8                                | 12               |
| AC0100  | 1           | 4.7      | 2.7      | 6.6      | 9.5      | 2.8      | 2.3      | 6.2           | 19.7 | 19                               | 27               |
| AC0125  | 1 1/4       | 4.7      | 2.7      | 6.6      | 9.6      | 2.8      | 2.3      | 6.1           | 20.4 | 19                               | 27               |
| ACR150* | 1 1/2       | 4.7      | 2.7      | 7.9      | 10.7     | 2.8      | 2.3      | 6.8           | 20.4 | 19                               | 27               |
| AC0150  | 1 1/2       | 5.6      | 3.6      | 8.4      | 11.7     | 3.8      | 2.4      | 15.6          | 52.7 | 50                               | 70               |
| AC0200  | 2           | 5.6      | 3.6      | 8.5      | 12.0     | 3.8      | 2.4      | 15.4          | 55.1 | 50                               | 70               |

**Notes**

Weight and dimension based on F X F connections and will vary with mixed options/connections.  
 All weights and dimensions are subject to minor changes.  
 Cv's based on the body only without flow regulator.  
 For pump head calculations, add the indicated pressure drop of 4.6 ft or 2 psi for 2-32 psi or 11.6 ft or 5 psi for 5-60 psi to the calculated drop for other components.  
 to calculated drops for other components  
 \* Denotes female thread not available on union end  
 Available in ISO7 threads

**Connections**

| Model    | Size<br>in./mm | S - sweat                      |      | F - female NPT                |                     | M - male NPT        |                     |
|----------|----------------|--------------------------------|------|-------------------------------|---------------------|---------------------|---------------------|
|          |                | Fixed Conn. (Outlet)<br>in./mm |      | Union Conn. (Inlet)<br>in./mm |                     |                     |                     |
| AC0050   | 1/2" (15)      | 1/2" (15)                      | S, F | 3/8 (10) S                    | 1/2 (15) F. M. S.   | 3/4 (20) F. M. S.   |                     |
| AC0075   | 3/4" (20)      | 3/4" (20)                      | S, F | 3/8 (10) S                    | 1/2 (15) F. M. S.   | 3/4 (20) F. M. S.   |                     |
| AC0100R* | 1" (25)        | 1" (25)                        | S, F | 1 (25) M. S.                  | 1 (25) M. S.        | 1 1/4 (32) F. M. S. |                     |
| AC0100   | 1" (25)        | 1" (25)                        | S, F | 1/2 (15) M. S.                | 3/4 (20) F. M. S.   | 1 (25) F. M. S.     | 1 1/4 (32) F. M. S. |
| AC0125   | 1 1/4" (32)    | 1 1/4" (32)                    | S, F | 1/2 (15) M. S.                | 3/4 (20) F. M. S.   | 1 (25) F. M. S.     | 1 1/4 (32) F. M. S. |
| AC0150R* | 1 1/2" (40)    | 1 1/2" (40)                    | S, F | 1 (25) F. M. S.               | 1 1/4 (32) F. M. S. | 1 1/2 (40) M. S.    |                     |
| AC0150   | 1 1/2" (40)    | 1 1/2" (40)                    | S, F | 1 1/4 (32) F. M. S.           | 1 1/2 (40) F. M. S. | 2 (50) F. M. S.     |                     |
| AC0200   | 2" (50)        | 2" (50)                        | S, F | 1 1/4 (32) F. M. S.           | 1 1/2 (40) F. M. S. | 2 (50) F. M. S.     |                     |

**Flow Rates**

| Size        | psid Range | Flow Rate (gpm)  |
|-------------|------------|--|
| 1/2" - 3/4" | 2 - 32     | 0.33, 0.5, 0.67, 0.75, 0.88, 1.0, 1.1, 1.25, 1.5, 1.75, 2.0, 2.25, 2.5, 2.64, 3.0, 3.5, 4.0, 4.5, 5.0, 5.28, 6.0, 7.0, 8.0   |
|             | 5 - 60     | 1.0, 1.5, 2.0, 2.5, 3.0, 4.0, 5.0, 6.0, 7.0, 8.0, 9.0, 10, 11, 12  |
| 1" - 1 1/4" | 2 - 32     | 0.5, 0.67, 0.75, 0.88, 1.0, 1.1, 1.25, 1.5, 1.75, 2.0, 2.25, 2.5, 2.64, 3.0, 3.5, 4.0, 4.5, 5.0, 5.28, 6.0, 7.0, 8.0, 9.0, 10, 11, 12, 13, 14, 15, 16, 17, 18, 19    |
|             | 5 - 60     | 1.0, 1.5, 2.0, 2.5, 3.0, 4.0, 5.0, 6.0, 7.0, 8.0, 9.0, 10, 11, 12, 13, 14, 15, 16, 17, 18, 19, 20, 21, 22, 23, 24, 25, 26, 27  |
| 1 1/2" - 2" | 2 - 32     | 5.0, 6.0, 7.0, 8.0, 9.0, 10, 11, 12, 13, 14, 15, 16, 17, 18, 19, 20, 22, 24, 26, 28, 30, 32, 34, 36, 38, 40, 42, 44, 46, 48, 50                                      |
|             | 5 - 60     | 8.0, 9.0, 10, 11, 12, 13, 14, 15, 16, 17, 18, 19, 20, 21, 22, 23, 24, 25, 26, 27, 28, 30, 32, 34, 36, 38, 40, 42, 44, 46, 48, 50, 52, 54, 56, 58, 60, 62, 64, 68, 70 |

| Size       | kPa Range | Flow Rate (lps)   |
|------------|-----------|---|
| 15 - 20 mm | 14 - 220  | 0.021, 0.032, 0.042, 0.047, 0.056, 0.063, 0.069, 0.079, 0.095, 0.110, 0.126, 0.142, 0.158, 0.167, 0.189, 0.221, 0.252, 0.284, 0.315, 0.333, 0.379, 0.442, 0.505   |
|            | 35 - 414  | 0.063, 0.095, 0.126, 0.158, 0.189, 0.252, 0.315, 0.379, 0.442, 0.505, 0.568, 0.631, 0.694, 0.757  |
| 25 - 32 mm | 14 - 220  | 0.032, 0.042, 0.047, 0.056, 0.063, 0.069, 0.079, 0.095, 0.110, 0.126, 0.142, 0.158, 0.167, 0.189, 0.221, 0.252, 0.284, 0.315, 0.333, 0.379, 0.442, 0.505, 0.568, 0.631, 0.694, 0.757, 0.820, 0.883, 0.946, 1.009, 1.073, 1.136, 1.199   |
|            | 35-414    | 0.063, 0.095, 0.126, 0.158, 0.189, 0.252, 0.315, 0.379, 0.442, 0.505, 0.568, 0.631, 0.694, 0.757, 0.820, 0.883, 0.946, 1.009, 1.073, 1.136, 1.199, 1.262, 1.325, 1.388, 1.451, 1.514, 1.577, 1.640, 1.703   |
| 40 - 50 mm | 14 - 220  | 0.315, 0.379, 0.442, 0.505, 0.568, 0.631, 0.694, 0.757, 0.820, 0.883, 0.946, 1.009, 1.073, 1.136, 1.199, 1.262, 1.388, 1.514, 1.640, 1.767, 1.893, 2.019, 2.145, 2.271, 2.397, 2.524, 2.650, 2.776, 2.902, 3.028, 3.155   |
|            | 35-414    | 0.505, 0.568, 0.631, 0.694, 0.757, 0.820, 0.883, 0.946, 1.009, 1.073, 1.136, 1.199, 1.262, 1.325, 1.388, 1.451, 1.514, 1.577, 1.640, 1.703, 1.767, 1.893, 2.019, 2.145, 2.271, 2.397, 2.524, 2.650, 2.776, 2.902, 3.028, 3.155, 3.281, 3.407, 3.533, 3.659, 3.785, 3.912, 4.038, 4.290, 4.416 |

**Model Order Designation**

**Model / Size**

1" Low Flow AC Shown

**Options w/ Locations**

Use for options that require specified locations.

Dual P/T's in Ports 2 & 4 and Air Vent in Port 1 Shown

**GPM**

12 GPM Shown

**AC0100 - S / 3/4S - DP2&4, AV1 - MI - 12**

**Connections**

Ball valve end first. See specifications for available connections.

Female Sweat X 3/4" Reduced Female Sweat Shown

**Options**

Use for options that have specific locations.

Metal ID Tag Shown

\*\* Ball valve end available FPT & SWT

**Options Available**

**AV** Manual Air Vent

**EH** Extended Handle

**HN** Hose End Drain

**PI** Plastic ID Tag

**PL** Plug

**SE** Stem Extender

**T4** 1/4" F Tap

**DX** Ext. P/T Ports

Various convenience fitting are available

**Disclaimer:** The products, texts, photographs, graphics and diagrams in this submittal may be subject to alteration by Flow Design Inc. without prior notice or reason being given.